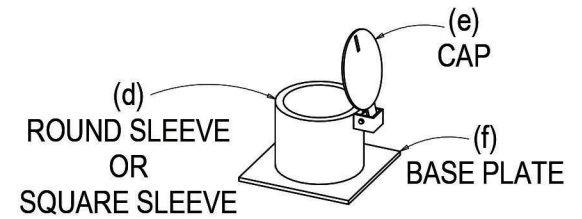
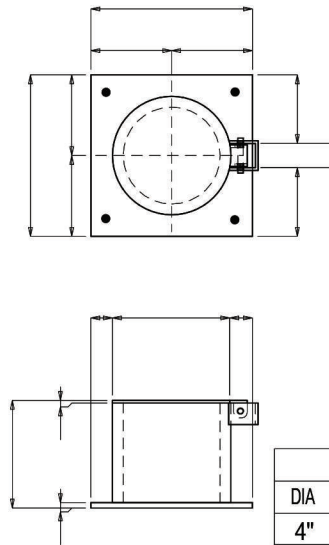
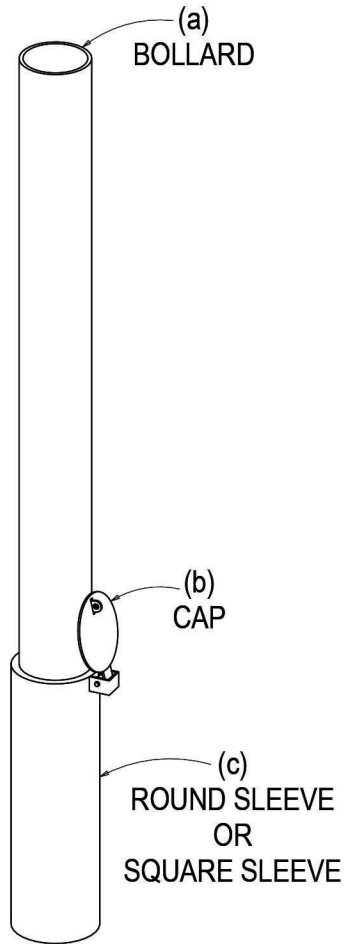
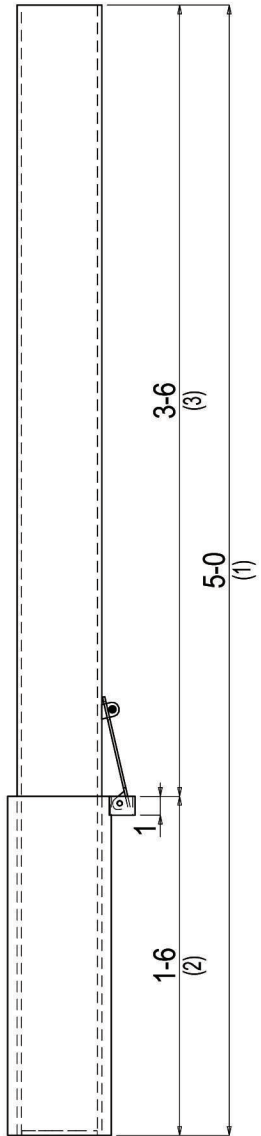


REMOVABLE LOCKING BOLLARD

STATIONARY LOCKING STAND



STATIONARY LOCKING STAND				
DIA	SLEEVE (d)	CAP (e)	BASE (f)	QTY
4"	Ideal ID	Ideal ID	Ideal ID	
6"	Ideal ID	Ideal ID	Ideal ID	

REMOVABLE LOCKING BOLLARD						
DIA	SCH	BOLLARD (a)	CAP (b)	SLEEVE (c)	FINISH	QTY
4"	40	Ideal ID	Ideal ID	Ideal ID	G - P - R	
6"	40	Ideal ID	Ideal ID	Ideal ID	G - P - R	

FINISHES - G= GALVANIZED R= RAW P= POWDER COATED

CUSTOM REMOVABLE LOCKING BOLLARD						
DIA	SCH	OVERALL (1)	FLOOR SLEEVE (2)	ABOVE GROUND (3)	FINISH	QTY
4"	40				G - P - R	
6"	40				G - P - R	

FINISHES - G= GALVANIZED R= RAW P= POWDER COATED
FILL IN LENGTHS NEEDED



REMOVABLE LOCKING BOLLARD SPECIFICATION SHEET

RECOMMENDED USE:
CORE DRILLED IN CONCRETE