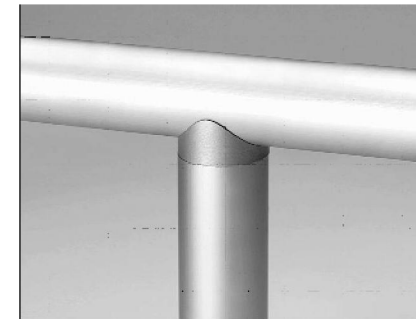


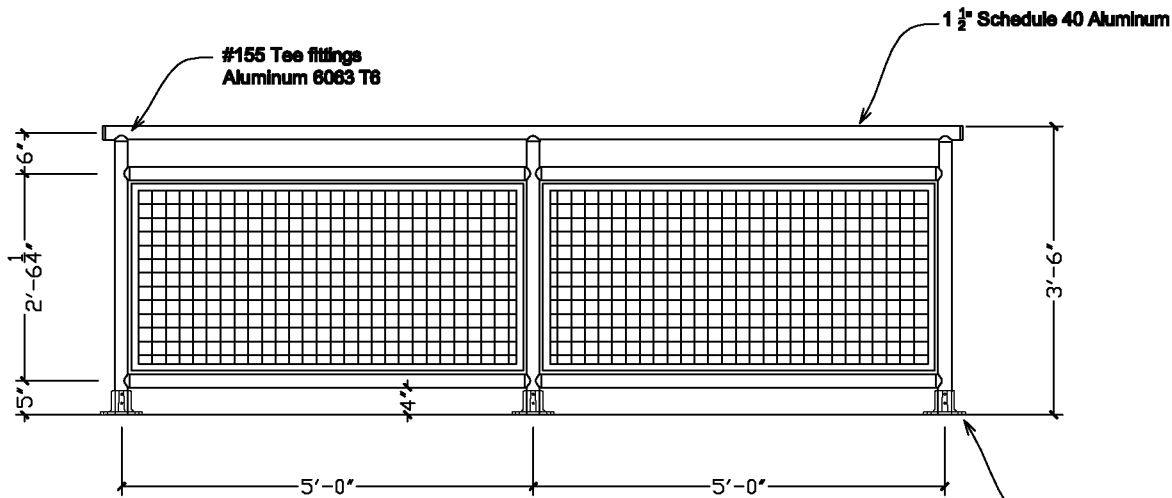
2" x 2" carbon steel welded wire mesh cloth infill with 1" u-edging (optional powder coating or paint finish)

Custom Infill Panels Available

INFILL PANEL



155 Tee

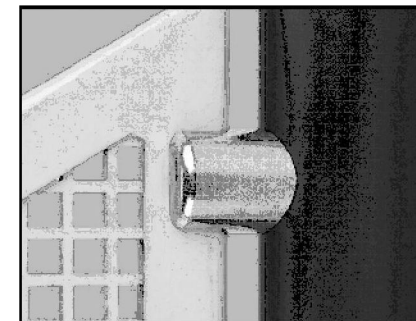


#155 Tee fittings
Aluminum 6063 T6

1 1/2" Schedule 40 Aluminum

Base Mount Flange
* See flange chart

Rail may also be cored



Panel Clip

3 LINE ALUMINUM RAIL WITH INFILL

(262) 346-8451 | info@jpsignsandsafety.com | jpsignsandsafety.com

NO.	REVISIONS	DATE	APPROVED



PROJECT	CUSTOMER	DESCRIPTION	DRAWN BY	APPROVED BY	DATE
		3 Line Aluminum with Infill Plate Mount	ACB		