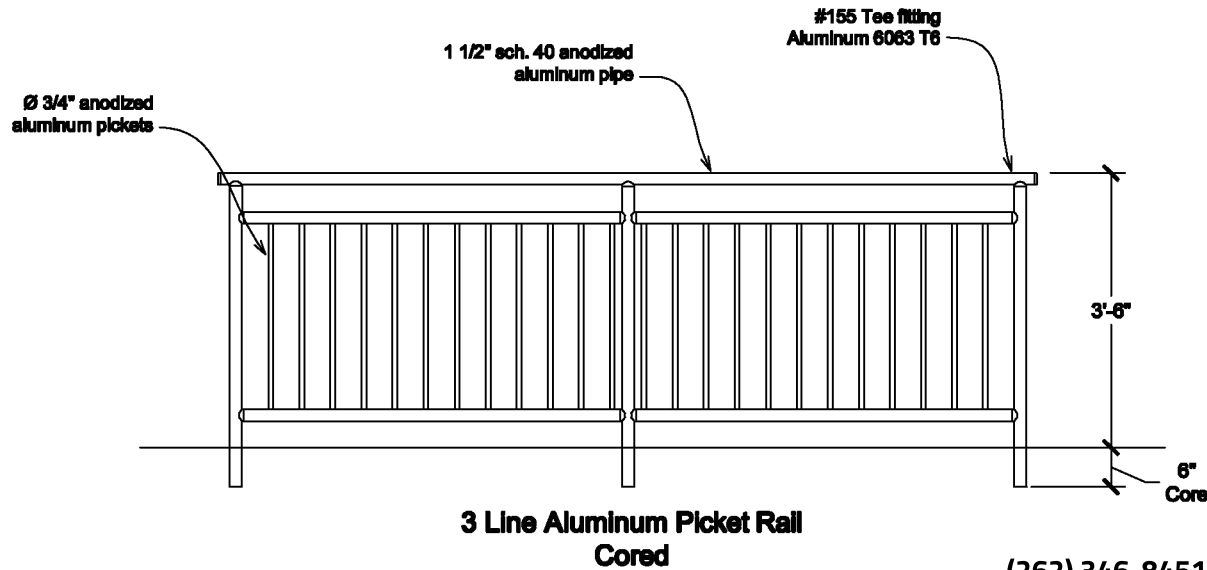


155 Tee



(262) 346-8451 | info@jpsignsandsafety.com | jpsignsandsafety.com

NO.	REVISIONS	DATE	APPROVED



PROJECT	CUSTOMER	DESCRIPTION	DRAWN BY	APPROVED BY	DATE
		3 line aluminum with pickets Core & Plate Mount	ACB		