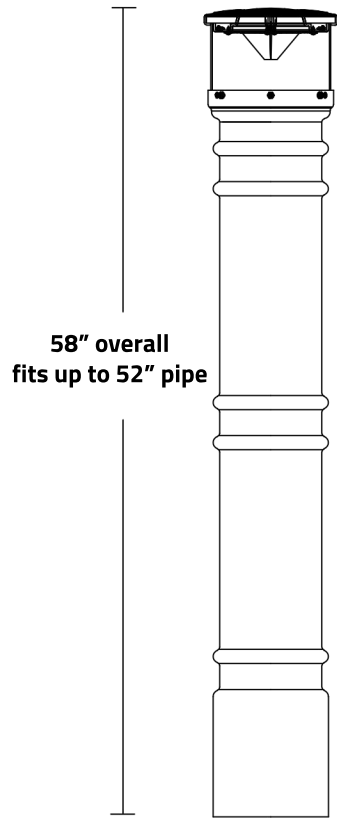
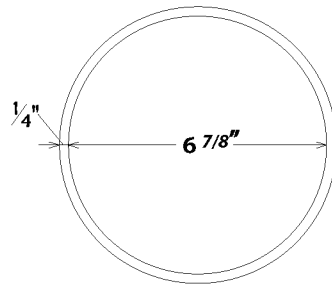


6" UV Lighted Bollard Product Specifications



Steel Pipe ID = 6"
 Steel Pipe OD = 6.625"
 Ideal Sleeve ID = 6 7/8"



Cross Section of Sleeve

Color: _____
 Standard Colors: Yellow, Red, Black, Blue, Brown, Gray, Green, Orange, & White

Custom Color: Pantone®/Sherwin Williams® # _____
 (if applicable)

Quantity: _____

Name: _____

Address: _____

City, State, Zip: _____

Phone: _____

Email: _____

THIS DRAWING AND ALL THE INFORMATION THEREON IS THE PROPERTY OF THE IDEAL SHIELD. IT IS CONFIDENTIAL AND MUST NOT BE MADE PUBLIC, NOR COPIED, NOR USED, TO THE DISADVANTAGE OF SAID IDEAL SHIELD AND IS SUBJECT TO RETURN ON DEMAND.
 COPYRIGHT 2003 IDEAL SHIELD

NO.	REVISIONS	DATE	APPROVED



PROJECT	CUSTOMER

DESCRIPTION
 6" UV Lighted Bollard

DRAWN BY	APPROVED BY	DATE
PROJECT NO.		SCALE
DRAWING TITLE		
SHEET	OF	