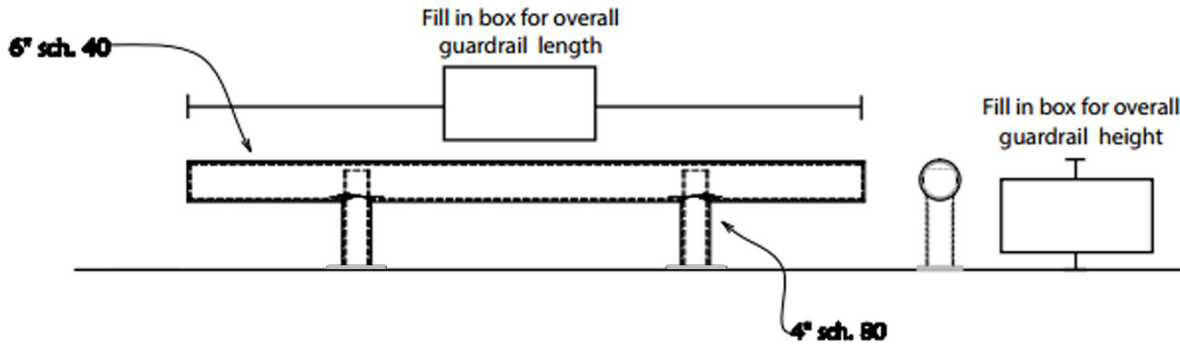
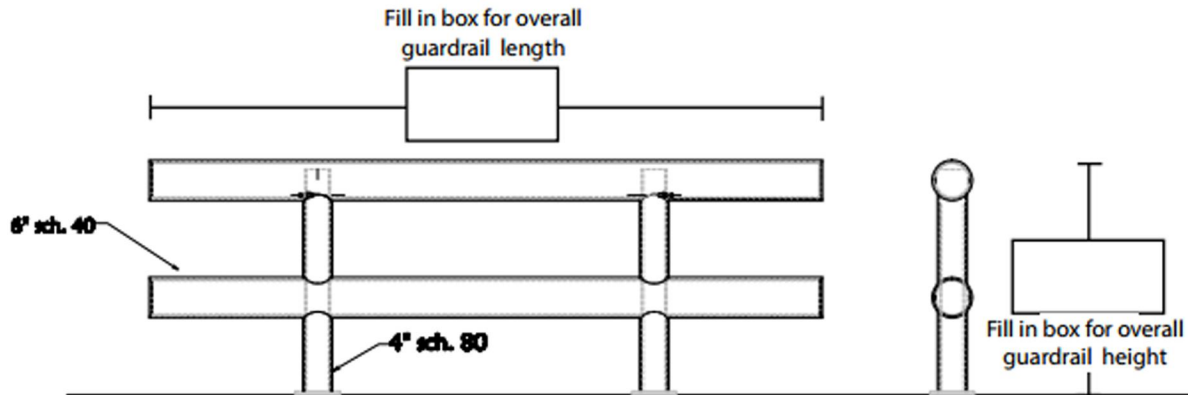


# Heavy Duty Guardrail Product Specifications

## One-Line



## Two-Line



Guardrail Type: One-Line Two-Line (circle one)

Installation Type: Plate-Mount

Company: \_\_\_\_\_

Name: \_\_\_\_\_

Address: \_\_\_\_\_

City, State, Zip: \_\_\_\_\_

Phone: \_\_\_\_\_

Email: \_\_\_\_\_

Quantity: \_\_\_\_\_

### Standard Measurements:

Length: 4'-0"	Height: 14-3/4" (One-Line)
6'-0"	27"
8'-0"	36"
10'-0"	42"
12'-0"	
Base Plate - 5/8" x 10" x 10"	

NO.	REVISIONS	DATE	APPROVED



PROJECT	CUSTOMER	DESCRIPTION	QUANTITY	UNIT PRICE	TOTAL
		Heavy Duty Guardrail Quick Quote Form			