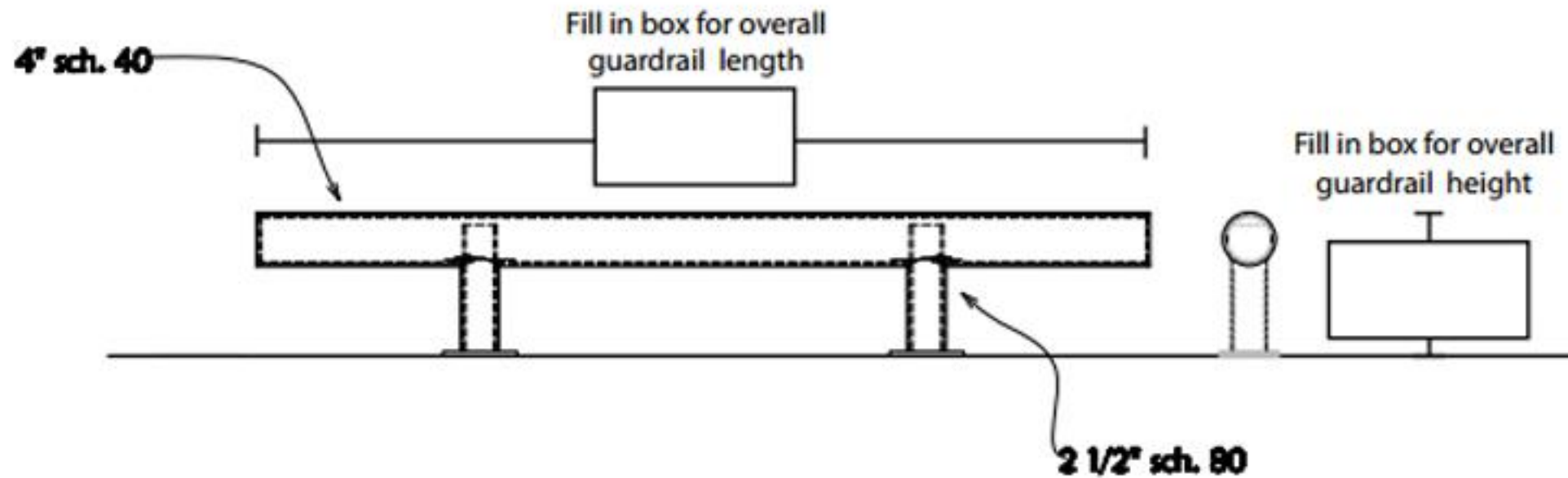
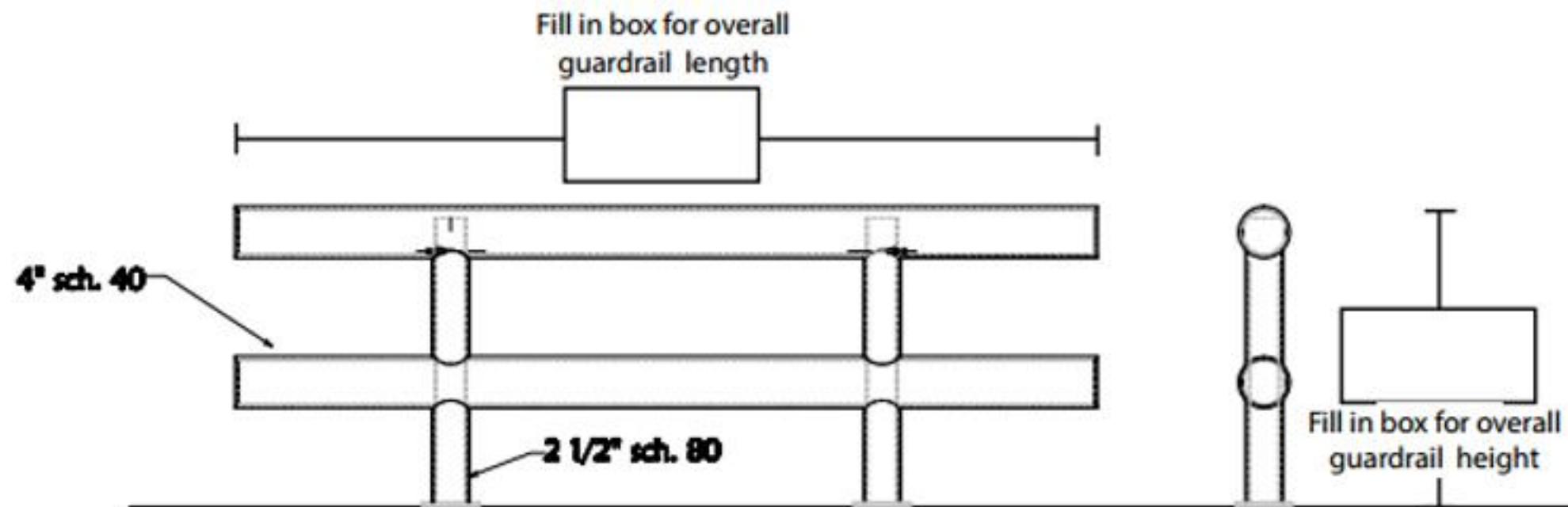


Standard Guardrail Product Specifications

One-Line



Two-Line



Guardrail Type: One-Line Two-Line (circle one)

Installation Type: Plate-Mount

Company: _____

Name: _____

Address: _____

City, State, Zip: _____

Phone: _____

Email: _____

Quantity: _____

Standard Measurements:	
Length: 4'-0"	Height: 14-3/4" (One-Line)
6'-0"	27"
8'-0"	36"
10'-0"	42"
Base Plate - 1/2" x 8" x 8"	

(262) 346-8451 | info@jpsignsandsafety.com | jpsignsandsafety.com

NO.	REVISIONS	DATE	APPROVED	PROJECT	CUSTOMER	DESCRIPTION	QUOTED BY	QUOTED BY	DATE
						Standard Guardrail Quick Quote Form			

