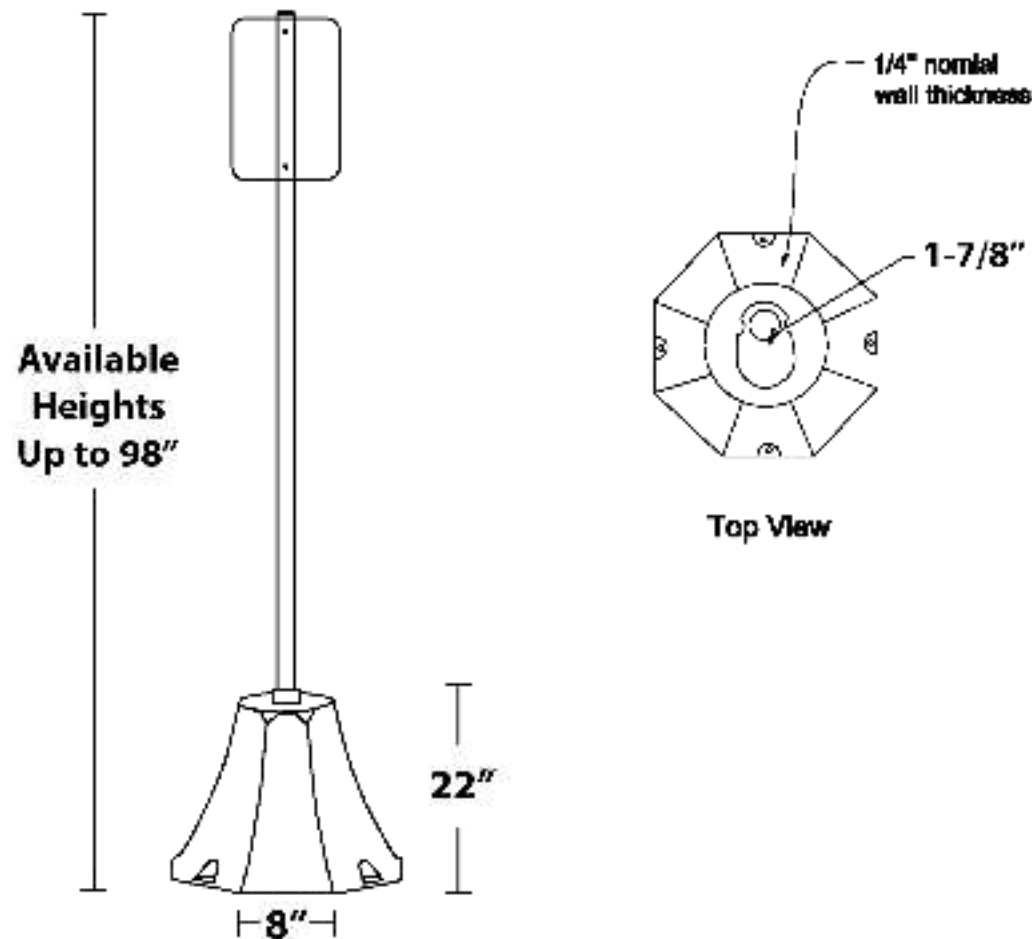


# Sign Base - Octagon Product Specifications



## SPECIFICATIONS

### Sign Base Material:

1/4" Nominal Wall Thickness  
 Low-Density Polyethylene Thermoplastic  
 w/ Ultra-Violet and Anti-Static Additives

### Sign Base Dimensions:

22" H x 8" W each side

### Weight:

45 lbs. with pole

### Colors:

Standard colors: OSHA Yellow, Blue or Red  
 Custom colors available

### Height:

Standard Height is 98" without wheels

### Installation:

Fill with concrete, sand or water  
 Up to 11.5 Gal. of water (approx. 96 lbs.)

REV	DESCRIPTION	DATE	BY



REV	DESCRIPTION	DATE	BY

REV	DESCRIPTION	DATE	BY