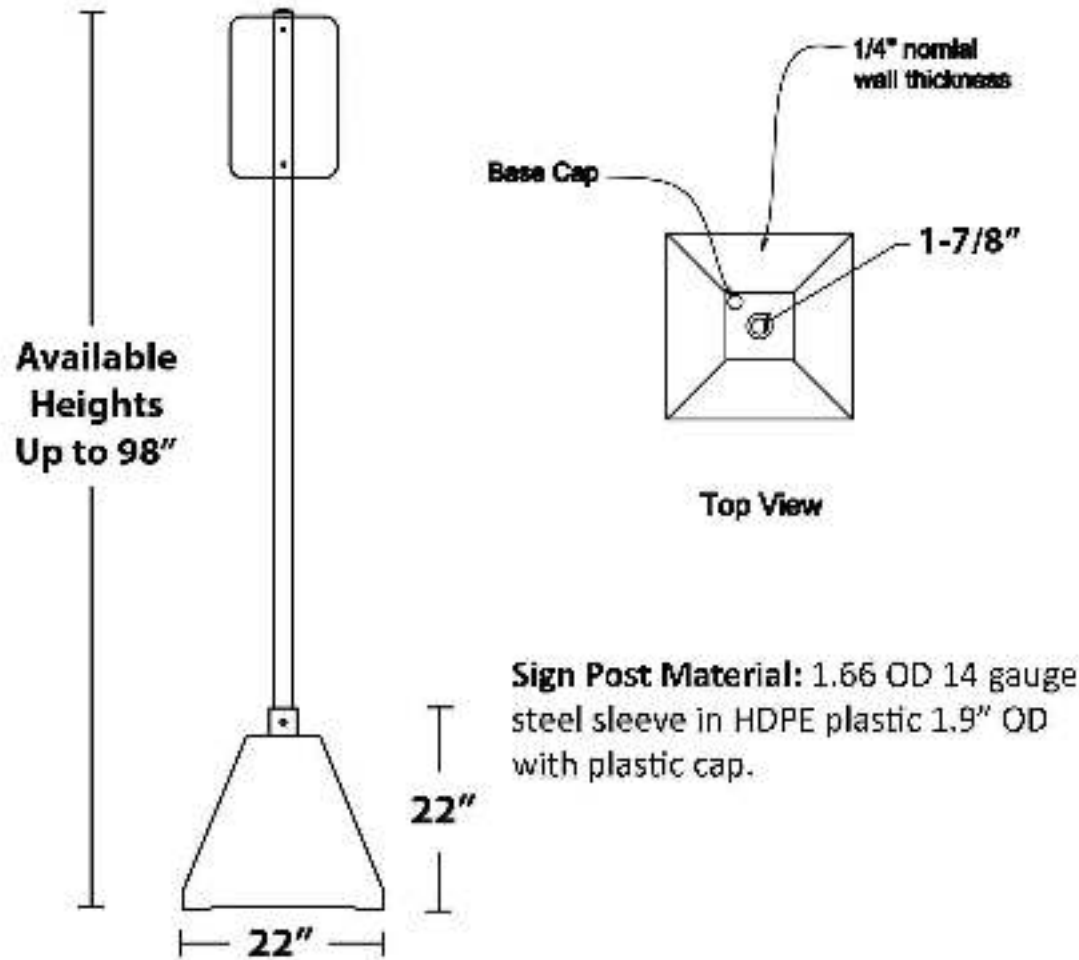


# Sign Base - Pyramid Product Specifications



## SPECIFICATIONS

### Sign Base Material:

1/4" Nominal Wall Thickness  
 Low-Density Polyethylene Thermoplastic  
 w/ Ultra-Violet and Anti-Static Additives

### Sign Base Dimensions:

22" H x 22" W x 22" D

### Weight:

30 lbs. with pole

### Colors:

Standard colors: OSHA Yellow, Blue or Red  
 Custom colors available

### Height:

Standard Height is 98" without wheels  
 Standard Height is 102" with wheels

### Installation:

Fill with concrete, sand or water  
 Recommend 100 lbs. of sand or gravel  
 Up to 22 Gal. of water

REV	DESCRIPTION	DATE	BY



REV	DESCRIPTION	DATE	BY

REV	DESCRIPTION	DATE	BY