

COLLAPSIBLE LOCKING BOLLARD SPECS

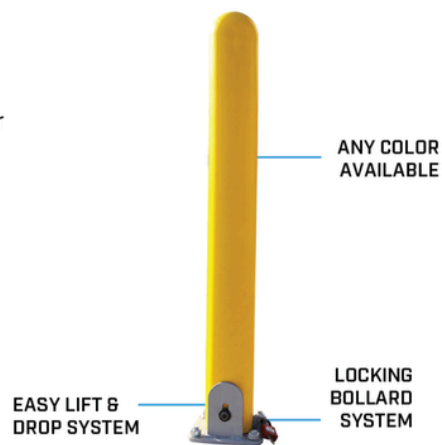
Product Details:

Steel Pipe: 4" or 6" Schedule 40 U.S. Steel sleeved with 1/8" Bollard Cover

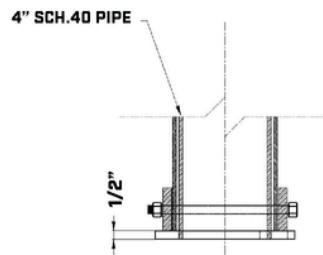
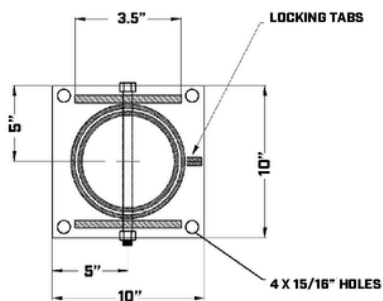
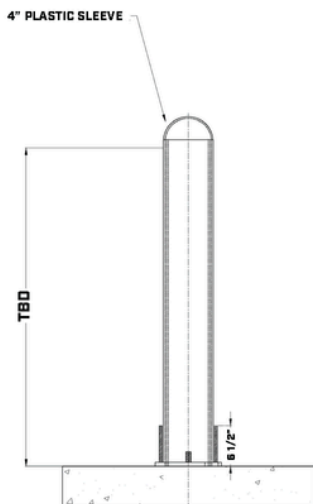
System: U.S. Steel Collapsible Plate (lock not included)

Standard Height: 42"

*pad lock & installation hardware not included



4" COLLAPSIBLE BOLLARD



6" COLLAPSIBLE BOLLARD

